

Table of Contents

Limited Warranty

IN NO EVENT SHALL THE DIRECT VENDOR'S LIABILITY FOR DIRECT OR INDIRECT, SPECIAL, INCIDENTAL OR CONSEQUENTIAL DAMAGES, LOSS OF PROFIT, LOSS OF BUSINESS, OR FINANCIAL LOSS WHICH MAY BE CAUSED BY THE USE OF THE PRODUCT EXCEEDS THE PRICE PAID FOR THE PRODUCT.

The direct vendor makes no warranty or representation, expressed or implied with respect to the contents or use of this documentation, and especially disclaims its quality, performance, merchantability, or fitness for any particular purpose.

The direct vendor also reserves the right to revise or update the product or documentation without obligation to notify any user or organization of such revisions or updates. For further information, please contact your direct vendor.

OVERVIEW 2

FEATURES 2

PACKAGE CONTENTS 3

SYSTEM REQUIREMENTS 3

Console Requirements 3

Computer Requirements 3

INSTALLATION 4

BIOS / CMOS Setting 4

Console Connections 4

Computer Connections 5

OPERATION 6

Front Panel On-Line LED 6

Selected LED 6

Computer Selection 6

Auto-Scan 6

Scan Time Interval 6

Manual Port Selection 6

RACK-MOUNT ACCESSORIES 7

Rack-Mount Kit Diagram 7

Compatible KVM Switches 8

TROUBLESHOOTING 8, 9

SPECIFICATIONS 10

UR-14P 11

□ OVERVIEW

The **ConnectPRO™ Master-IT UR-12**, and **UR-14** make up the **UR-Series** USB KVM Switches. They are a combination of USB keyboard/mouse/monitor (KVM) switch and USB peripherals sharing device which are fully compatible with USB specification 1.1. With a **Master-IT** USB KVM switch, you can easily operate either up to 2 (UR-12) or up to 4 (UR-14) PCs, G3/G4 Macs, or iMacs from 1 USB keyboard, 1 USB mouse, and 1 monitor saving you space, time, equipment and money. Its peripheral sharing function enables you to share two additional USB peripherals among the connected computers.

Installation is as easy as connecting USB patch cables to computers and to the **Master-IT** USB KVM switch. Switching among connected computers is simple; Computer switching is as easy as pressing a front panel button. The built-in USB hub ensures smooth switching from one computer to the other. The **Master-IT** USB KVM switch provides the easiest way to manage multiple computers with USB interfaces and share USB peripherals among all computers. No more tangled cables and messy working environments; let the **Master-IT** USB KVM switch do the computer switching for you.

□ FEATURES

- Manage G3/G4 Macs, or iMacs from one USB keyboard, mouse and monitor.
- Multiple computers share different USB peripherals.
- Front panel push buttons for easy computer selection.
- No drivers needed for keyboard and mouse operation.
- Support keyboard and mouse plug-n-play.
- High VGA resolution: 1600x1200@85Hz.
- Can be Linked to a **ConnectPRO™ PR-Series** switch as a slave USB switch.
- Buzzer sound for port switching confirmation.
- Activate Auto Scan by front buttons pressing.
- Selectable Scan Time interval.
- USB ver 1.1 compliant.
- Support the latest DDC2B VGA monitor.
- USB self-powered operation.

□ UR-14P

The Master-IT USB model UR-14P has PS/2 console port connectors, and USB PC port connectors.

The UR-14P will allow either USB or PS/2 computers to be controlled by one PS/2 Keyboard, one PS/2 Mouse, one monitor. It can also be used as the cascaded unit down from the PR-18 (8-Port) or PR-116 (16-Port).

□ CABLE CONNECTIONS

Connect the PS/2 keyboard and PS/2 mouse to their console ports, then connect each computer to an available PC port.

□ PORT SELECTION / SWITCHING

To switch to a different computer than the one you are currently on, just press the corresponding front panel button for the attached computer, or press the Left CTRL key twice then press number of the key which corresponds to the computer you want to switch to.

EXAMPLE:

CTRL + **CTRL**, then **2** will switch to port #2 to control that computer.

□ RESET

Simultaneously press the front panel #1 & #2 buttons for 5 seconds.

❑ SPECIFICATIONS

The following table contains information pertaining to the **Master-IT** USB KVM switch.

	UR-12	UR-14
Number of computers supported.	2	4
Front panel push button	2	4
Hot plug-and-play	YES	YES
Automatic scan interval	3, 8, 15, 30 seconds	
Cable Length (Max)	30M(100ft) for VGA 5M(15ft) for USB	
Computer ON-LINE LED	2	4
Computer selected LED	2	4
VGA Resolution	1920 X 1440, DDC2B	
USB Connectors	USB Type B (PC Ports) USB Type A (Console & Peripheral Ports)	
Monitor connectors	HD-DB-15 male	
Power Supply (optional)	Part # PW3-05A20 (5V DC 2A) Polarity = positive on center	Part # PW3-05A20 (5V DC 2A) Polarity = positive on center
Weight	420 (grams) 14.8 (ounces)	900 (grams) 31.74 (ounces)
H x W x D (mm)(in.)	1.6 x 4.9 x 2.7 (in.) 40 x 124 x 70 (mm.)	1.7x8.7x5.1 (in.) 44x220x130 (mm.)

❑ PACKAGE CONTENTS

The **ConnectPRO™** Master-IT USB Series KVM switch is packaged with the following items depending on the model you have:

	UR-12	UR-14
Master-IT USB KVM Switch	1	1
Cables Premium 2-in-1 USB/VGA	Premium 2-in-1 USB/VGA Part #: PU-06	
Power Supply	Included	Included
Users' Manual	1	1

❑ SYSTEM REQUIREMENTS

❑ CONSOLE

- One VGA, SVGA or Multisync monitor.
- One USB keyboard.
- One USB mouse.

❑ COMPUTER

Each USB-enabled computer must be connected to the UR-Series KVM switch by:

- One HDB15 male-to-female VGA cable (**ConnectPRO™** Part Number: CMV-201-S6)
- One USB patch A-B cable with Type A and Type B plug, as shown in figure 1. (**ConnectPRO™** Part Number: UC-AB-6)

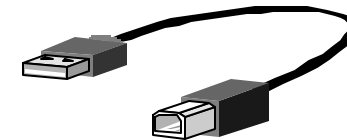


Figure 1. **UC-AB-6** (6 ft. A-to-B USB Cable)

❑ INSTALLATION

❑ BIOS / CMOS SETTINGS

The following BIOS setup changes are necessary for PC users and **not** necessary for Mac users:

1. In STANDARD CMOS, set "HALT ON ERRORS" setting to "ALL BUT KEYBOARD".
2. In PNP AND PCI SETUP, set "PNP OS INSTALLED" setting to "YES" and set "USB IRQ" setting to "ENABLED".

NOTE:

The **UR-Series** KVM USB switch is applicable for USB keyboard and mouse switching from one computer to the other. If you plan to share other peripherals such as a CCD camera, printer or scanner, it is required that you shut down the driver of the computer before switching to another computer. Because port switching is equivalent to unplugging the USB cable from one computer and plugging it in to another one, some USB drivers check attached USB peripherals all the time and will not accept this.

❑ CONSOLE CONNECTIONS

Before installation, make sure all devices and computers to be connected to the **UR-Series** KVM switch have been turned off.

Plug a monitor into the Console's VGA port; plug a USB keyboard and a USB mouse into any two of the 4 Console's USB ports as shown in figure 2.

As an option, the **UR-Series** USB KVM switch can be linked to an existing **ConnectPRO™ PR-Series** PS/2 type (non-USB) KVM switch with the mini-DIN8 male-to-male cable which is supplied with your **UR-Series** USB KVM switch. See figure 2.

❑ TROUBLESHOOTING – cont.

Symptoms	Causes	Solutions
Newly installed USB device does not work. (continued from page 8)	(continued from page 8)	<ul style="list-style-type: none"> ❑ Remove all power sources to the switch by unplugging all USB patch cables and the power adapter; then retry. ❑ Select the computer by pushbutton, then reboot.
Computer hangs up while switching a different computer.	<ul style="list-style-type: none"> ❑ Device initialization is taking too long. 	<ul style="list-style-type: none"> ❑ Wait at least 5 seconds before computer switching to ensure proper USB communication. ❑ Turn off device driver (not keyboard nor mouse) before switching.
Auto Scan does not switch PCs automatically and beeps are heard.	<ul style="list-style-type: none"> ❑ All PCs are off or only one PC is turned on. Scan mode works for powered-on computers only. 	<ul style="list-style-type: none"> ❑ Turn computers on.

❑ COMPATIBLE KVM SWITCHES

The following **ConnectPRO™ PR-Series** KVM switches are compatible with the **ConnectPRO™ UR-Series** USB KVM switches:

- PR-14 (4-port PS/2 KVM switch)
- PR-18 (8-port PS/2 KVM switch)
- PR-116 (16-port PS/2 KVM switch)
- PR-216 (2-Console, 16-Port PS/2 KVM switch)

❑ TROUBLESHOOTING

At any time, when experiencing difficulties; consult the following table for a remedy. As always, verify that all cables are securely connected.

Symptoms	Causes	Solution
Keyboard or mouse does not work	<ul style="list-style-type: none"> ❑ InAuto Scan, keyboard and mouse are not operable 	<ul style="list-style-type: none"> ❑ Press any front button to select a computer, then use the keyboard and mouse.
Newly installed USB device does not work.	<ul style="list-style-type: none"> ❑ Improper device driver. ❑ Device consumes too much power. ❑ Device consumes too much power instantaneously. ❑ Improper device initialization. 	<ul style="list-style-type: none"> ❑ Re-install device driver. ❑ The device should be self-powered, add a power adapter to the device. ❑ If the device does not provide power jack, add power adapter to the switch. ❑ Be sure the USB cable is well seated to ensure communication.

❑ COMPUTER CONNECTIONS

Use an HDB-15 male-to-female VGA cable (**ConnectPRO™** part number: **CMV-201-S6**) to connect from the computer's VGA port to the **UR-Series** USB KVM switch's VGA port on the PC side, as shown in figure 3.

Use the USB "A-to-B" (part # UC-AB-6) cable to connect from the **UR-Series** KVM switch's USB port (B connector, square connector) to the USB port on the corresponding computer (A connector, flat connector), as shown in figure 3.

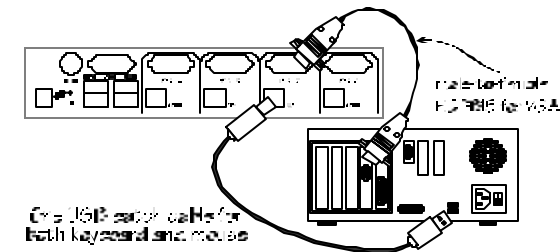


Figure 3. PC Connections

❑ OPERATION

❑ FRONT PANEL ON-LINE LED

When the LED turns green, the connected computer is powered-on.

❑ SELECTED LED

When a computer is selected, its corresponding red LED illuminates.

❑ COMPUTER SELECTION

Each computer has a button associated with it on the front panel for selection.

❑ AUTO SCAN

Press the front panel buttons "3" and "4" simultaneously to activate *Auto Scan*. The **UR-Series** USB KVM switch will start to scan powered-on computers one by one. The port LED flashes during Auto Scan.

Note: keyboard and mouse are not operable during Auto Scan

❑ SCAN TIME INTERVAL

To set the scan time interval for *Auto Scan*, press both front panel buttons "1" and "2" simultaneously several times to change the interval. The buzzer beeps 1, 2, 3 and 4 times for *Scan Times* of 3, 8, 15 and 30 seconds respectively.

*Note: Scan Time is automatically resets to the default of 3 seconds if the **UR-Series** KVM switch loses power.*

❑ MANUAL PORT SELECTION

Press any front-panel button to select the computer of interest; the **UR-Series** KVM switch beeps when it switches computers. The red LED illuminates indicating the selected computer port.

❑ RACK-MOUNT ACCESSORIES

The figure below shows how to attach the optional mounting brackets and cable support (**ConnectPRO™** part #: RX-1) to the **UR-Series** KVM switch for standard 19-inch rack cabinets.

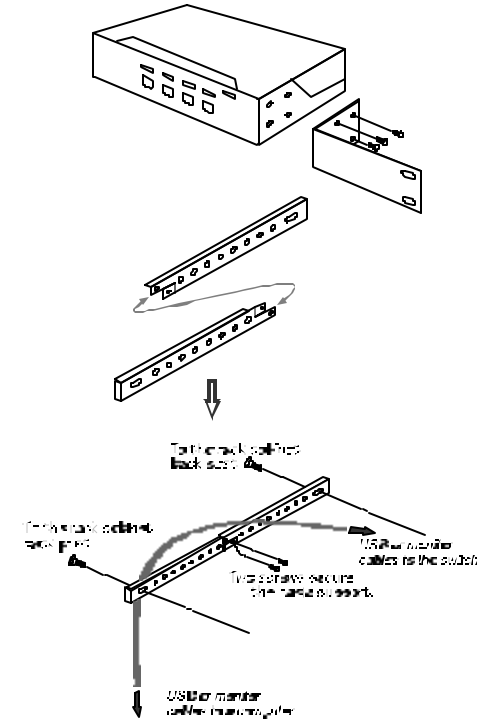


Figure 4. **RX-1** Rack-Mount Kit.